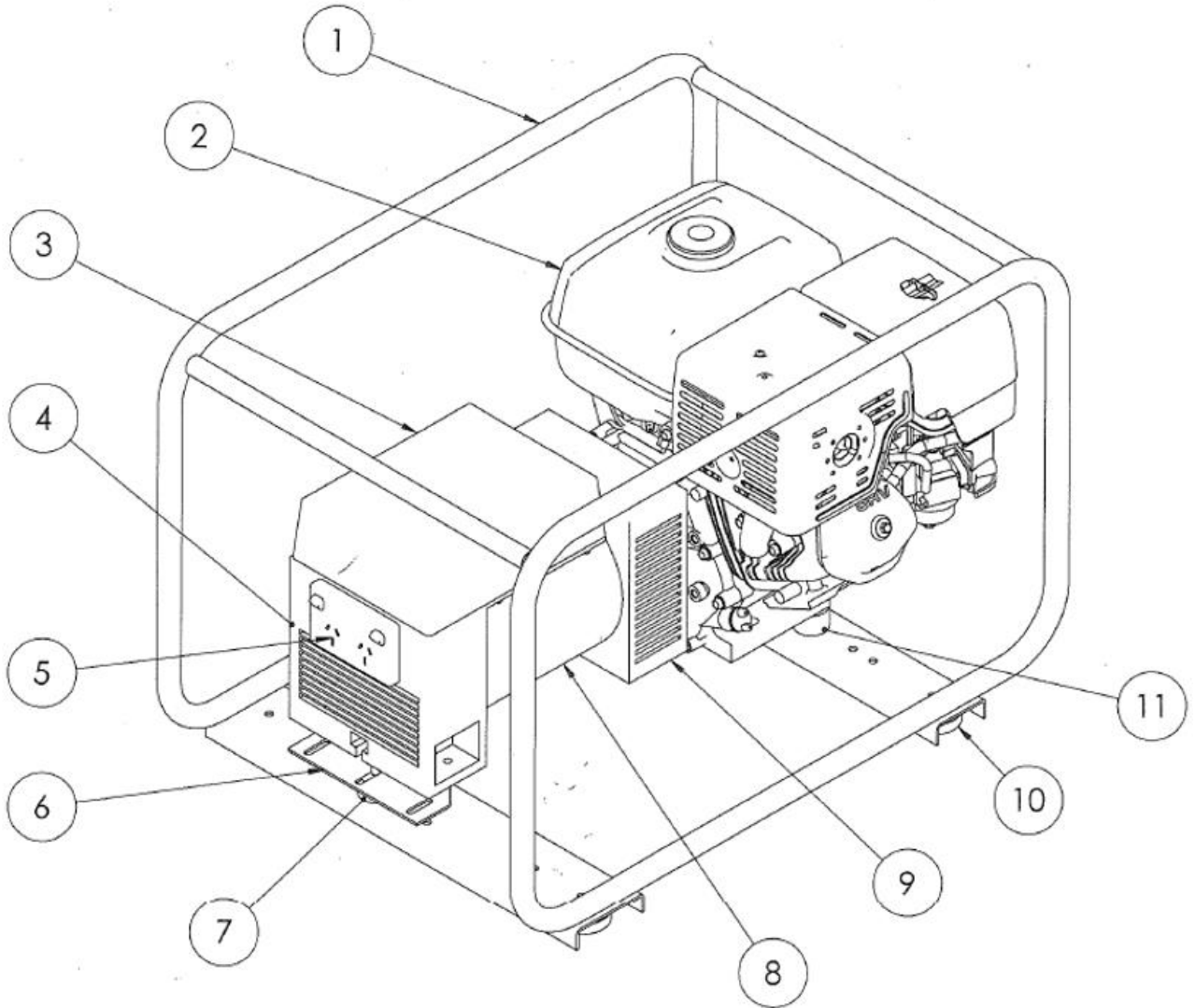




Power you can trust

EP8000HSR Parts Breakdown





EP8000HSR Parts Breakdown

No	Code	Part No	Description	Qty
1	402049	10-GT-N3-060	Frame Rollover Gentech # 3	1
2	n/a	GX390UT2VX8	Petrol Engine Honda 13HP Tape R Shaft <i>(contact local Honda dealer)</i>	1
3	402328	1GGA10019	Top Cover	1
4	402323	1GGA10011	Blind Cover	1
6	401985	10-GN-130	Support for Alternator (facing outward)	1
7	402068	10-MOUNT-STUD-M08X25	M8 X 25MM Dia Rubber Mount Stud <i>(frame to Alternator)</i>	1
8	415327	ALT-2PN-009.5KVA-1PH	9.5KVA 2Pole 1Phase Alternator	1
9	408261	3SLA10012	Coupling Flange <i>(Drive end bracket)</i>	1
10	402066	10-MOUNT-BASE-KIT-1	Vibration Mount Rubber Foot	4
11	402069	10-MOUNT-STUD-M08X40	M8 X 40MM Dia Rubber Mount Stud <i>(frame to Engine)</i>	2

Optional Extras;

5	414038	80-GPO-DOUBLE-15A	15AMP Double GPO	1